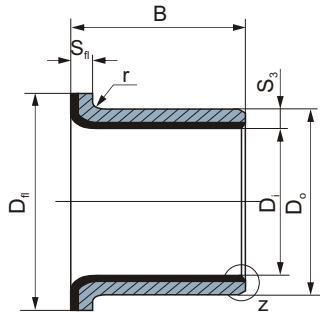
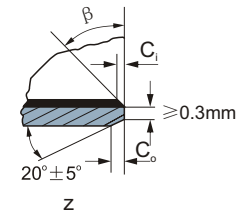
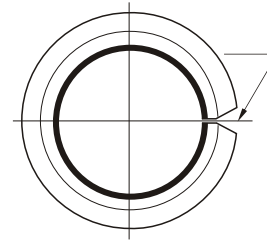


D _s	H D _H	D _O	D _{La}	C _D	S ₃	B ⁰ _{-0.40}										
						20	25	30	40	50	60	70	80	100	115	
45 ^{-0.025} _{-0.050}	50 ^{+0.025}	50 ^{+0.085} _{+0.045}	45.105 44.990	0.155 0.015	2.505 2.460	CSB-11 4520	CSB-11 4525	CSB-11 4530	CSB-11 4540	CSB-11 4550						
50 ^{-0.025} _{-0.050}	55 ^{+0.030}	55 ^{+0.100} _{+0.055}	50.110 49.990	0.160 0.015		CSB-11 5020		CSB-11 5030	CSB-11 5040	CSB-11 5050	CSB-11 5060					
55 ^{-0.030} _{-0.060}	60 ^{+0.030}	60 ^{+0.100} _{+0.055}	55.110 54.990					CSB-11 5530	CSB-11 5540	CSB-11 5550	CSB-11 5560					
60 ^{-0.030} _{-0.060}	65 ^{+0.030}	65 ^{+0.100} _{+0.055}	60.110 59.990					CSB-11 6030	CSB-11 6040	CSB-11 6050	CSB-11 6060	CSB-11 6070				
65 ^{-0.030} _{-0.060}	70 ^{+0.030}	70 ^{+0.100} _{+0.055}	65.110 64.990	0.170 0.020				CSB-11 6530	CSB-11 6540	CSB-11 6550	CSB-11 6560	CSB-11 6570				
70 ^{-0.030} _{-0.060}	75 ^{+0.030}	75 ^{+0.100} _{+0.055}	70.110 69.990					CSB-11 7040	CSB-11 7050	CSB-11 7060	CSB-11 7070	CSB-11				
75 ^{-0.030} _{-0.060}	80 ^{+0.030}	80 ^{+0.100} _{+0.055}	75.110 74.990					CSB-11 7530	CSB-11 7540	CSB-11 7550	CSB-11 7560	CSB-11 7570	CSB-11			
80 ^{-0.046}	85 ^{+0.035}	85 ^{+0.120} _{+0.070}	80.155 80.020	0.201 0.020	2.490 2.440			CSB-11 8040	CSB-11 8050	CSB-11 8060	CSB-11 8070	CSB-11	CSB-11			
85 ^{-0.054}	90 ^{+0.035}	90 ^{+0.120} _{+0.070}	85.155 85.020					CSB-11 8540		CSB-11 8560		CSB-11	CSB-11			
90 ^{-0.054}	95 ^{+0.035}	95 ^{+0.120} _{+0.070}	90.155 90.020					CSB-11 9040	CSB-11 9050	CSB-11 9060		CSB-11	CSB-11			
95 ^{-0.054}	100 ^{+0.035}	100 ^{+0.120} _{+0.070}	95.155 95.020	0.209 0.020					CSB-11 9550	CSB-11 9560		CSB-11	CSB-11			
100 ^{-0.054}	105 ^{+0.035}	105 ^{+0.120} _{+0.070}	100.155 100.020						CSB-11 10050	CSB-11 10060		CSB-11		CSB-11	CSB-11 100115	
105 ^{-0.054}	110 ^{+0.035}	110 ^{+0.120} _{+0.070}	105.155 105.020							CSB-11 10560		CSB-11		CSB-11	CSB-11 105115	
110 ^{-0.054}	115 ^{+0.035}	115 ^{+0.120} _{+0.070}	110.155 110.020							CSB-11 11060		CSB-11		CSB-11	CSB-11 110115	
120 ^{-0.054}	125 ^{+0.040}	125 ^{+0.170} _{+0.100}	120.210 120.070	0.264 0.070	2.465 2.415					CSB-11 12060		CSB-11	CSB-11			
125 ^{-0.063}	130 ^{+0.040}	130 ^{+0.170} _{+0.100}	125.210 125.070							CSB-11 12560			CSB-11	CSB-11	CSB-11 125115	
130 ^{-0.063}	135 ^{+0.040}	135 ^{+0.170} _{+0.100}	130.210 130.070							CSB-11 13060		CSB-11	CSB-11			
140 ^{-0.063}	145 ^{+0.040}	145 ^{+0.170} _{+0.100}	140.210 140.070	0.273 0.070						CSB-11 14060		CSB-11	CSB-11			
150 ^{-0.063}	155 ^{+0.040}	155 ^{+0.170} _{+0.100}	150.210 150.070							CSB-11 15060		CSB-11	CSB-11			
160 ^{-0.063}	165 ^{+0.040}	165 ^{+0.170} _{+0.100}	160.210 160.070							CSB-11 16060		CSB-11	CSB-11	CSB-11	CSB-11 160115	
180 ^{-0.063}	185 ^{+0.046}	185 ^{+0.210} _{+0.130}	180.216 180.070	0.279 0.070		2.465 2.415							CSB-11	CSB-11		
190 ^{-0.072}	195 ^{+0.046}	195 ^{+0.210} _{+0.130}	190.216 190.070										CSB-11	CSB-11		
200 ^{-0.072}	205 ^{+0.046}	205 ^{+0.210} _{+0.130}	200.216 200.070	0.288 0.070						CSB-11 20060		CSB-11	CSB-11			
220 ^{-0.072}	225 ^{+0.046}	225 ^{+0.210} _{+0.130}	220.216 220.070										CSB-11	CSB-11		
250 ^{-0.072}	255 ^{+0.052}	255 ^{+0.260} _{+0.170}	250.222 250.070	0.294 0.070	2.465 2.415									CSB-11	CSB-11	
260 ^{-0.081}	265 ^{+0.052}	265 ^{+0.260} _{+0.170}	260.222 260.070											CSB-11	CSB-11	
280 ^{-0.081}	285 ^{+0.052}	285 ^{+0.260} _{+0.170}	280.222 280.070	0.303 0.070										CSB-11	CSB-11	
300 ^{-0.081}	305 ^{+0.052}	305 ^{+0.260} _{+0.170}	300.222 300.070											CSB-11	CSB-11	

CSB-11



S_3	1.0	1.5	2.0	2.5
r	$1^{+0.5}$	1 ± 0.5	1.5 ± 0.5	2 ± 0.5

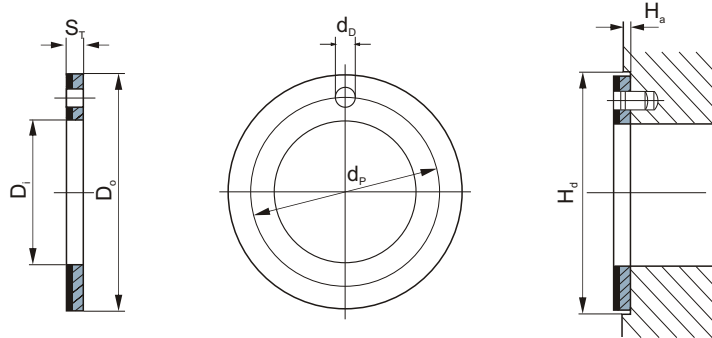


mm

D_s	$H \begin{matrix} 7 \\ D_H \end{matrix}$	D_o	$D_{i.a}$	C_b	Part Number	S_3	尺				
							D_i	D_o	$D_n \pm 0.5$	$B \pm 0.25$	$S_n \pm 0.2$
6	8 ^{+0.015}	8 ^{+0.055} +0.025	6.055 5.990	0.077 0.000	CSB-11F06040	1.005 0.980	6	8	12	4	1
					CSB-11F06070					7	
8	10 ^{+0.015}	10 ^{+0.055} +0.025	8.055 7.990	0.083 0.003	CSB-11F08055		8	10	15	5.5	
					CSB-11F08075					7.5	
10	12 ^{+0.018}	12 ^{+0.055} +0.025	10.058 9.990	0.086 0.003	CSB-11F10070		10	12	18	7	
					CSB-11F10090					9	
					CSB-11F10120					12	
12	14 ^{+0.018}	14 ^{+0.065} +0.030	12.058 11.990	0.092 0.006	CSB-11F12070		12	14	20	7	
					CSB-11F12090					9	
					CSB-11F12120					12	
14	16 ^{+0.018}	16 ^{+0.065} +0.030	14.058 13.990	0.092 0.006	CSB-11F14120		14	16	22	12	
					CSB-11F14170					17	
					CSB-11F15090					9	
15	17 ^{+0.018}	17 ^{+0.065} +0.030	15.058 14.990	0.092 0.006	CSB-11F15120		15	17	23	12	
					CSB-11F15170					17	
					CSB-11F16120					12	
16	18 ^{+0.018}	18 ^{+0.065} +0.030	16.058 15.990	0.092 0.006	CSB-11F16170		16	18	24	17	
					CSB-11F18120					12	
					CSB-11F18170	17					
18	20 ^{+0.021}	20 ^{+0.075} +0.035	18.061 17.990	0.095 0.006	CSB-11F18200	18	20	26	20		
					CSB-11F20115				11.5		
					CSB-11F20165				16.5		
20	23 ^{+0.021}	23 ^{+0.075} +0.035	20.071 19.990	0.112 0.010	CSB-11F20215	20	23	30	21.5		
					CSB-11F22150				15		
					CSB-11F22200				20		
22	25 ^{+0.021}	25 ^{+0.075} +0.035	22.071 21.990	0.112 0.010	CSB-11F25115	22	25	32	11.5		
					CSB-11F25165				16.5		
					CSB-11F25215				21.5		
25	28 ^{+0.021}	28 ^{+0.075} +0.035	25.071 24.990	0.112 0.010	CSB-11F30160	25	28	35	16		
					CSB-11F30260				26		
					CSB-11F35160				16		
30	34 ^{+0.025}	34 ^{+0.075} +0.035	30.085 29.990	0.126 0.010	CSB-11F35260	30	34	42	26		
					CSB-11F40260				26		
					CSB-11F40400				40		
35	39 ^{+0.025}	39 ^{+0.085} +0.045	35.085 34.990	0.135 0.015	CSB-11F40400	35	39	47	26		
					CSB-11F40400				26		
					CSB-11F40400				40		
40	44 ^{+0.025}	44 ^{+0.085} +0.045	40.085 39.990	0.135 0.015	CSB-11F40400	40	44	53	40		
					CSB-11F40400				40		
					CSB-11F40400				40		

CSB-11

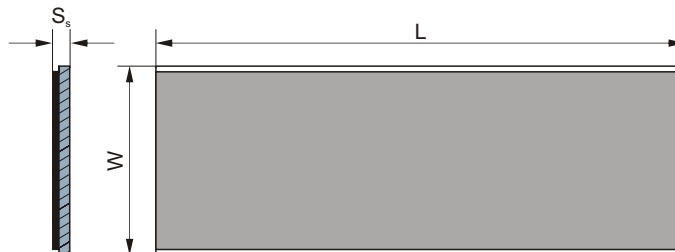
● CSB-11WC



mm

D_s	Part Number							$H_d+0.12$
		$D_i+0.25$	$D_o-0.25$	$S_r-0.05$	$d_p\pm 0.125$	$d_{p+0.1}^{+0.4}$	$H_a\pm 0.2$	
8	CSB-11WC10	10	20	1.5	15	1.5	1	20
10	CSB-11WC12	12	24		18			
12	CSB-11WC14	14	26		20			
14	CSB-11WC16	16	30		23	2		30
16	CSB-11WC18	18	32		25			
18	CSB-11WC20	20	36		28	3		36
20	CSB-11WC22	22	38		30			
22	CSB-11WC24	24	42		33			
24	CSB-11WC26	26	44		35			
26	CSB-11WC28	28	48		38	4		48
30	CSB-11WC32	32	54		43			
36	CSB-11WC38	38	62		50			
40	CSB-11WC42	42	66		54			
46	CSB-11WC48	48	74		61			1.5
50	CSB-11WC52	52	78	65				
60	CSB-11WC62	62	90	76	90			

● CSB-11SP



mm

Part Number	$(L)\pm 1$	$(W)\pm 1$	$(S_s)-0.05$
CSB-11SP	500	150	1.0
CSB-11SP	500	150	1.5
CSB-11SP	500	150	2.0
CSB-11SP	500	150	2.5